

ReOne

Suspension, five lamp

ART. R1005R / R1005N

mariplast



Color

fluo

orange



fuchsia



yellow



green



opaques

white



black



red



orange



purple



metallics

blu



transparents

neutral



material recycled polypropylene

voltage 220-240 V ~ 50-60Hz

bulb MAX 5x11W

bulb base GU10

cord length 3,5 m

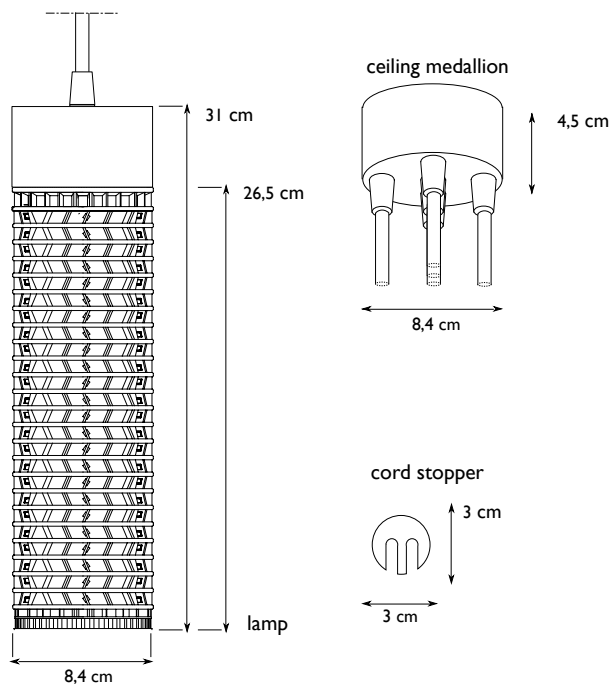
Cord Color

R1005N

black

R1005R

red



Class II



use only with a protected bulb



read the user manual



CEI EN 60598-1